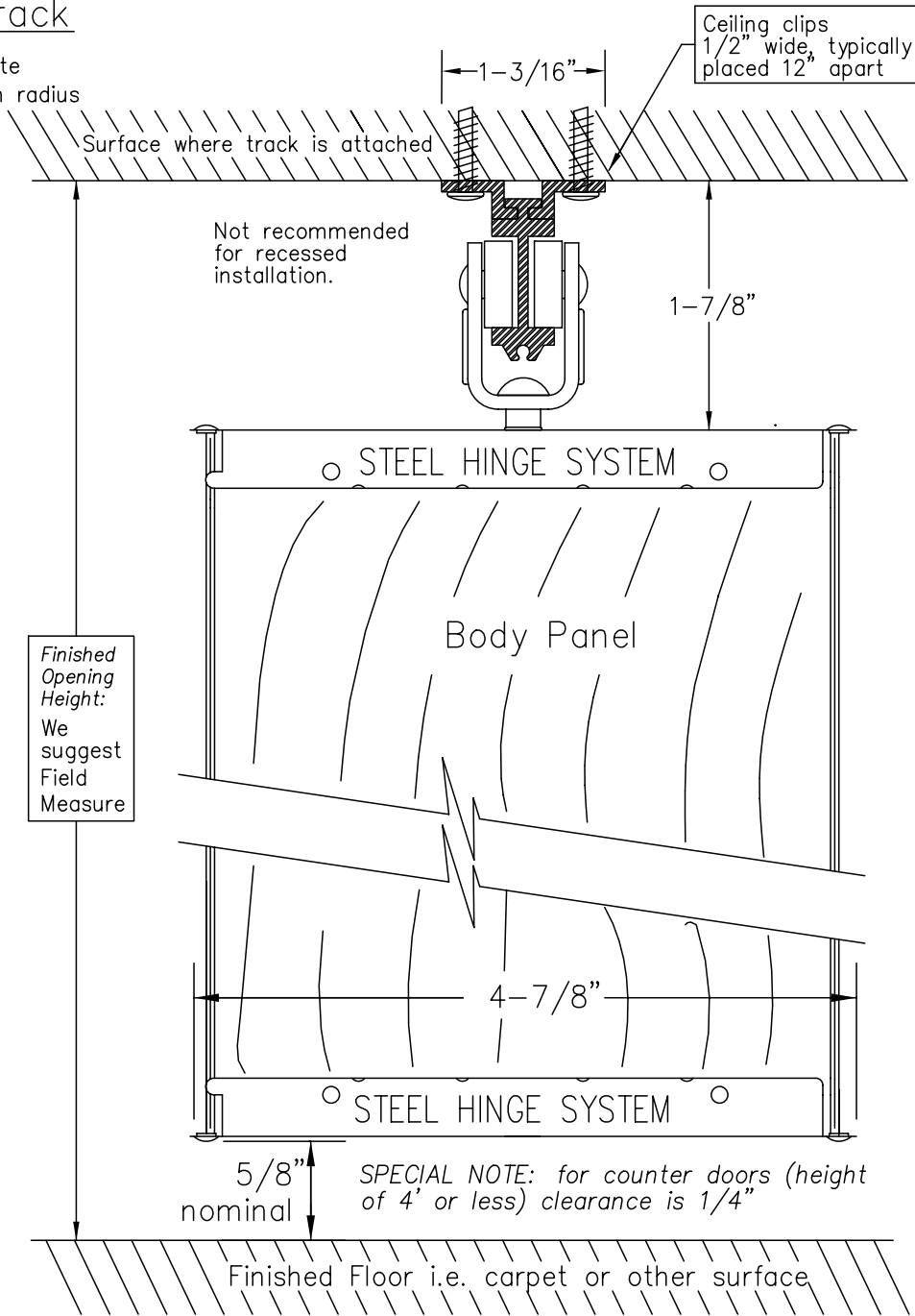


I-Beam Track

Curvable at job site
to a 12" minimum radius



Finished
Opening
Height:
We
suggest
Field
Measure

For Floor Clearance other than above please specify

Woodfold Manufacturing, Inc.
PO Box 356 Forest Grove OR 97116
<http://www.woodfold.com>

CAD IBM-240

○ I-BEAM TRACK— MODEL 240